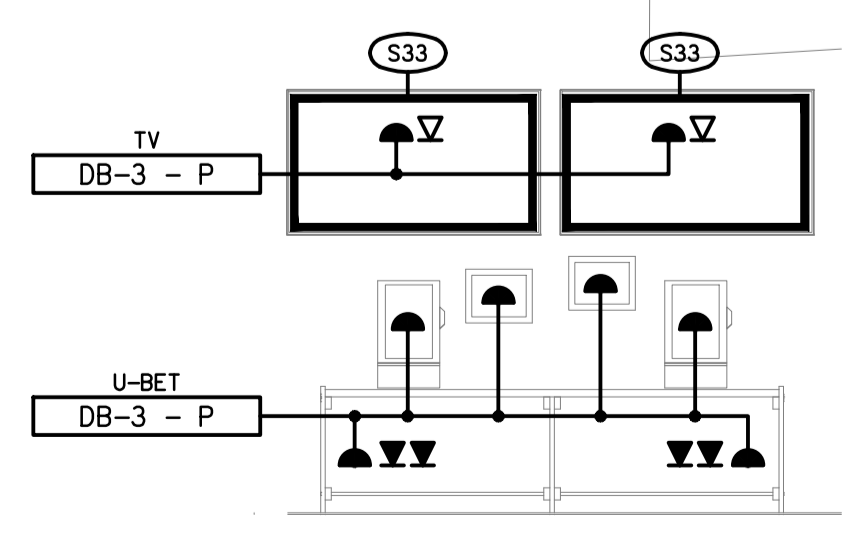
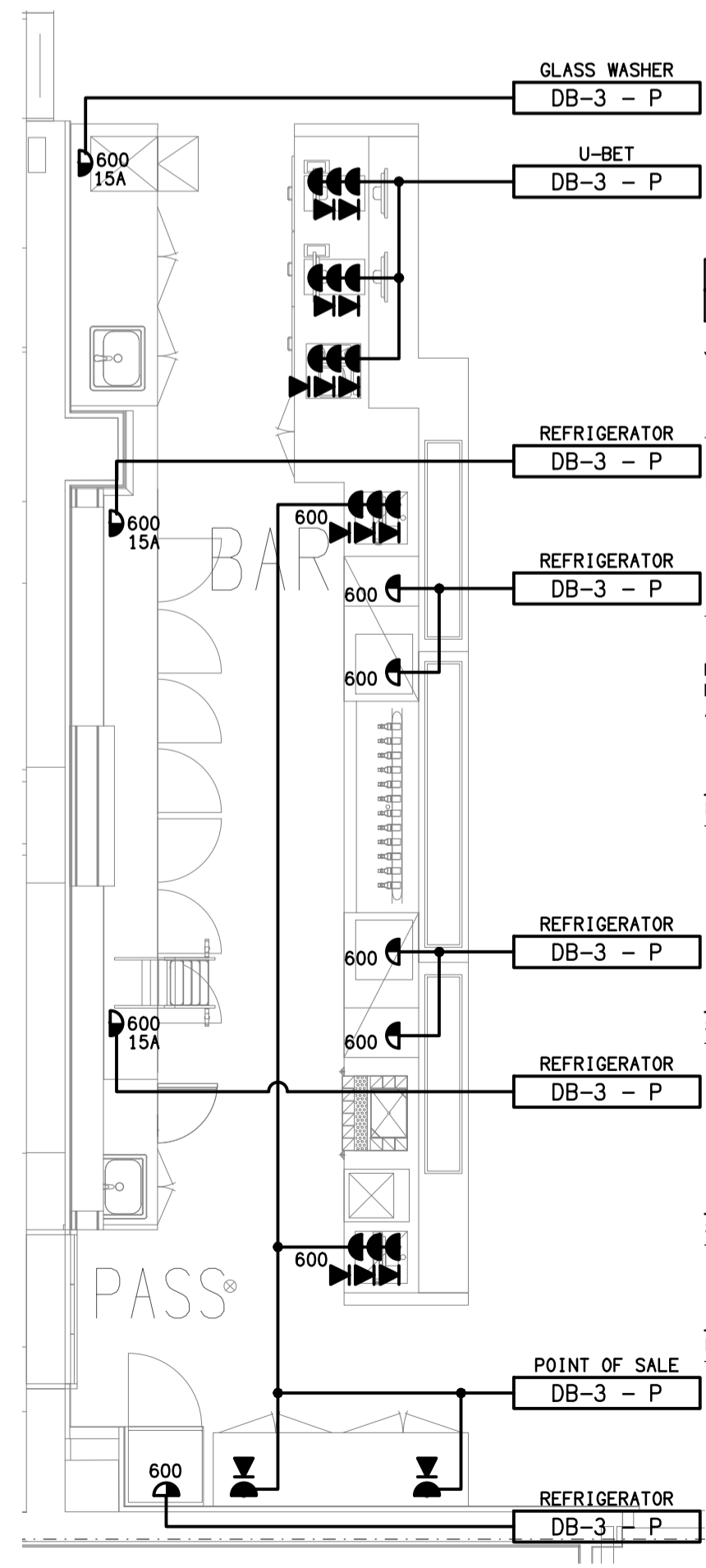


DETAIL A
CAFE / KITCHEN FLOOR PLAN
SCALE 1:50



DETAIL C
TAB WALL ELEVATION
SCALE 1:50



DETAIL B
SPORTS BAR FLOOR PLAN
SCALE 1:50

THE COPYRIGHT OF THIS DRAWING REMAINS THE PROPERTY OF THE ELECTRICAL DESIGN GROUP.
USE FIGURED DIMENSIONS IN PREFERENCE TO SCALE.
ALL DIMENSIONS TO BE VERIFIED ONSITE.

B	75% DEVELOPMENT	02/10/2024
REV:	DESCRIPTION:	DATE:

ELECTRICAL DESIGN GROUP
ELECTRICAL BUILDING SERVICES CONSULTANTS

BRISBANE: P.O. Box 15 Sherwood Qld 4075
Phone: (07) 3278 4375
Email: brisbane@edg.net.au
Web: www.edg.net.au

ELECTRICAL DESIGN GROUP BRISBANE / TRADING AS: ELECTRICAL DESIGN GROUP
PTY LTD ACN 092 710 793

PROJECT: CABOOLTURE SPORTS CLUB REFURBISHMENT

SITE ADDRESS: 19-27 STATION ROAD, MORAYFIELD

SCALE: 1:100 UNO SHEET SIZE: AT A1

DRAWING TITLE: **ELECTRICAL SERVICES GROUND LEVEL PART B FLOOR PLAN**

PROJECT NO: DRAWING NO: REVISION: **C3264a E04 B**